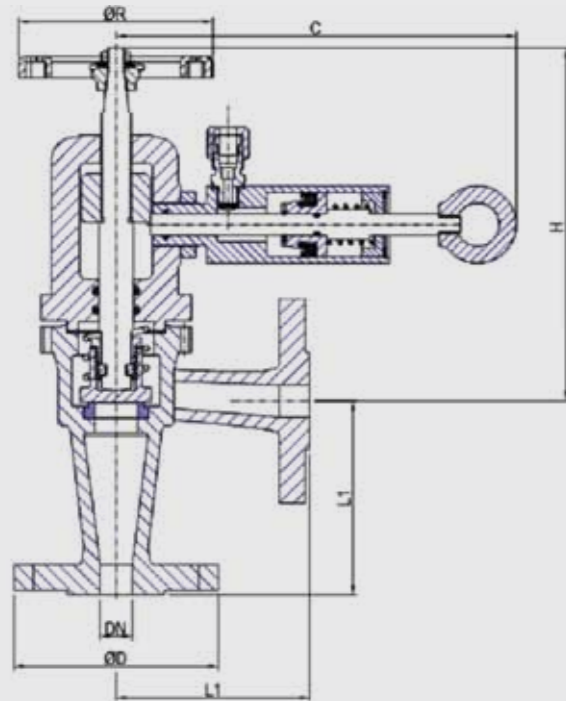


BESI Quick Closing Valves

Quick Closing Valve Angle Type

Face to Face EN 558 (DIN 3202 F1) –
 Flanges acc. to EN 1092-2/B (DIN2501)
 Pressure Rating: PN 10 / PN 16 (above disk)
 Temperature Range: up to 140°C

Body/Bonnet: EN-GJS-400-18-LT
 Disk ≤ DN65: X14CrMoS17
 Disk ≥ DN80: X14CrMoS17
 Seat: X12Cr13
 Studs / Bolts: Steel



Pressure class and temperature range	
Dimension	Permissible working pressure in bar Working temperature in °C till 140°C
DN 15 - DN 100	16
DN 125 - DN 150	16
DN 175 - DN 200	10
DN 250 - DN 600	On request

MA150201							
DN	ØD	L1	H	ØR	C	Weight	BESI Part No.
in mm	in mm	in mm	in mm	in mm	in mm	in kg	
15	95	90	170	120	190	3.9	MA15020101516
20	105	95	170	120	190	4.6	MA15020102016
25	115	100	180	140	190	5.4	MA15020102516
32	140	105	180	140	190	7.1	MA15020103216
40	150	115	200	160	195	9.6	MA15020104016
50	165	125	200	160	195	12.5	MA15020105016
65	185	145	225	180	195	17.6	MA15020106516
80	200	155	245	200	195	21.4	MA15020108016
100	220	175	275	225	195	35.7	MA15020110016
125	250	200	275	250	195	48.2	MA15020112516
150	285	225	315	300	195	72	MA15020115016
175	315	250	360	400	195	91.7	MA15020117516
200	340	275	360	400	195	108	MA15020120016

Application:

Suitable for cold and hot water, oil and other neutral, non-aggressive liquids.
Quick Closing Valves are mainly used for sudden blocking of pipe line systems at tanks with combustible liquids. The **Quick Closing Valve** is equipped with a multirelease cylinder for execution by hydraulic, pneumatic or manual operation.
 Other flanges, material or feedback signal on request.

QCV

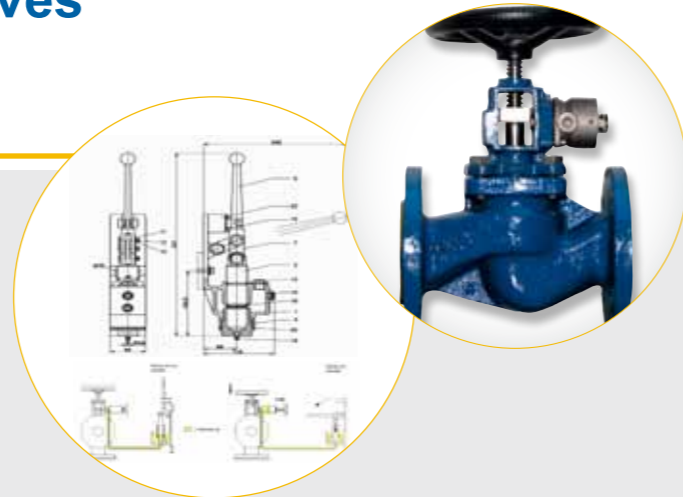
BESI Quick Closing Valves



BESI Quick Closing Valves

BESI Quick Closing Valves are designed with multiple execution release cylinders, which allow operation by manual (pulling wire), pneumatic and hydraulic execution. The **BESI Quick Closing Valve** can be delivered in various material compositions and with various flange drillings. Sizes range from **DN15** to **DN200** in standard, up to **DN500** is possible on request. The **BESI Quick Closing Valve** release stations are equipped with a breakable window and emergency hammer.

The cabinets are built according to customer request and therefore are without limitation of execution handles. As an option, the electrical open/close indication can be part of the release station. The release cylinders are designed for manual as well as pneumatic and hydraulic execution.



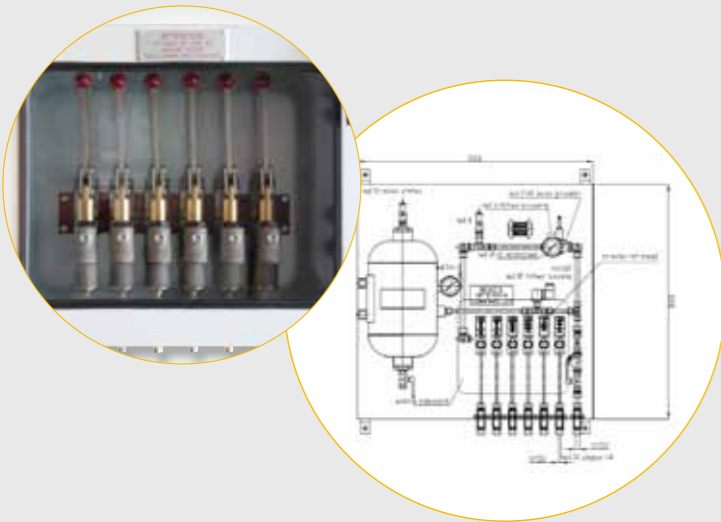
Following Materials are available:

Body:

- Ductile Iron - EN-GJS400-18-LT - (GGG40.3)
- Cast Steel - GSC25 - (GP240GH)
- Stainless Steel - 1.4301 - (AISI304)
- Stainless Steel - 1.4401 - (AISI316)
- Bronze - CuSn5Zn5Pb5-C - (RG5)
- Bronze - G-CuSn10Zn - (RG10)
- Bronze - G-CuSn10 - (GBZ10)

- Face to Face dimension according DIN-EN
- Drilling according DIN 2501
- Flanges according EN 1092/3B

- Optional Flange-drilling according ANSI
- Optional Flange-drilling according JIS



Certificates



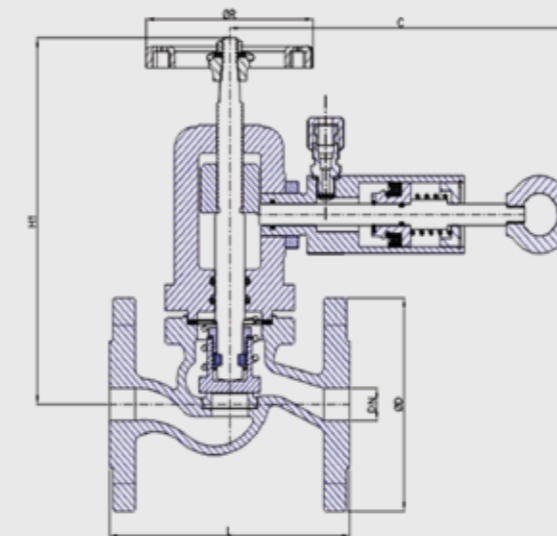
BESI provides the required certificates from major classification societies.

BESI Quick Closing Valves

Quick Closing Valve Straight Type

Face to Face EN 558 (DIN 3202 F1) –
Flanges acc. to EN 1092-2/B (DIN2501)
Pressure Rating: PN 10 / PN 16 (above disk)
Temperature Range: up to 140°C

- Body/Bonnet: EN-GJS-400-18-LT
- Disk ≤ DN65: X14CrMoS17
- Disk ≥ DN80: X14CrMoS17
- Seat: X12Cr13
- Studs / Bolts: Steel



Pressure class and temperature range

Dimension	Permissible working pressure in bar Working temperature in °C till 140°C
DN 15 - DN 100	16
DN 125 - DN 150	16
DN 175 - DN 200	10
DN 250 - DN 600	On request

MA150101

DN	ØD	L1	H	ØR	C	Weight	BESI Part No.
in mm	in mm	in mm	in mm	in mm	in mm	in kg	
15	95	130	165	120	190	3.9	MA15010101516
20	105	150	165	120	190	4.6	MA15010102016
25	115	160	180	140	190	5.4	MA15010102516
32	140	180	180	140	190	7.1	MA15010103216
40	150	200	215	160	195	9.6	MA15010104016
50	165	230	230	160	195	12.5	MA15010105016
65	185	290	245	180	195	17.6	MA15010106516
80	200	310	295	200	195	21.4	MA15010108016
100	220	350	325	225	195	35.7	MA15010110016
125	250	400	360	250	195	48.2	MA15010112516
150	285	480	425	300	195	72	MA15010115016
175	315	550	495	400	195	91.7	MA15010117516
200	340	600	505	400	195	108	MA15010120016

Application:

Suitable for cold and hot water, oil and other neutral, non-aggressive liquids.

Quick Closing Valves are mainly used for sudden blocking of pipe line systems at tanks with combustible liquids. The **Quick Closing Valve** is equipped with a multirelease cylinder for execution by hydraulic, pneumatic or manual operation.

Other flanges, material or feedback signal on request.

For detailed information about the products shown please refer to the specific datasheets.